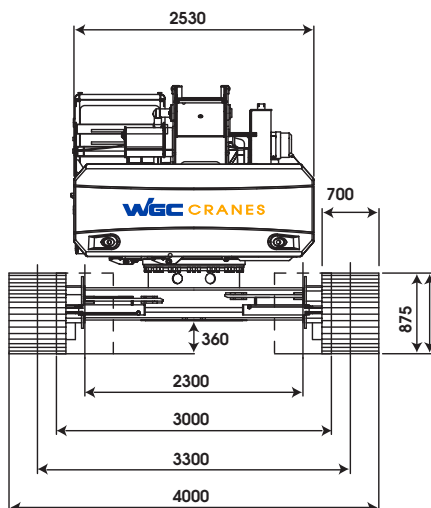
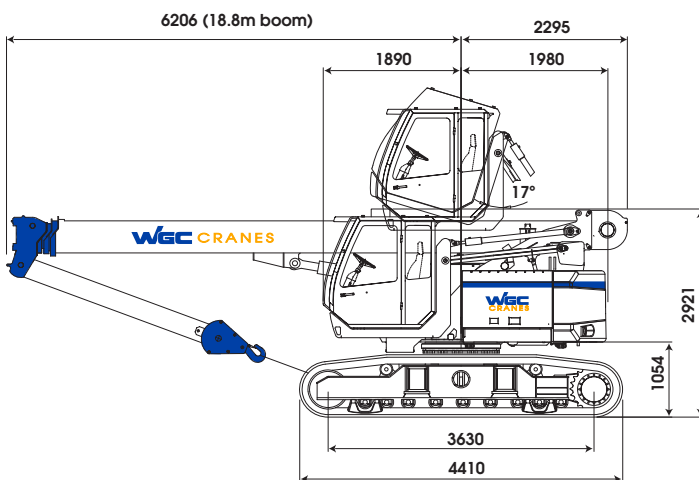


SENNEBOGEN®

613R

Crane Dimensions



The compact Sennebogen 613R 15t crawler crane is the latest addition to the WGC fleet of telescopic crawlers.

The high quality German built crane features a tiny footprint combined with next to no tail swing which mean it can operate in the tightest of spaces using a full 360° slewing range. The crawler base makes it well suited to pick and carry operations and the elevated cabin increases visibility for easier operation. The crane is ideally suited applications such as structural steel, noise barriers and jersey curbs, or smaller CFA projects.



TRANSPORT WEIGHT
22.2 Tonne



LINE PULL
3.5 Tonne



FOOTPRINT
4m x 4.1m

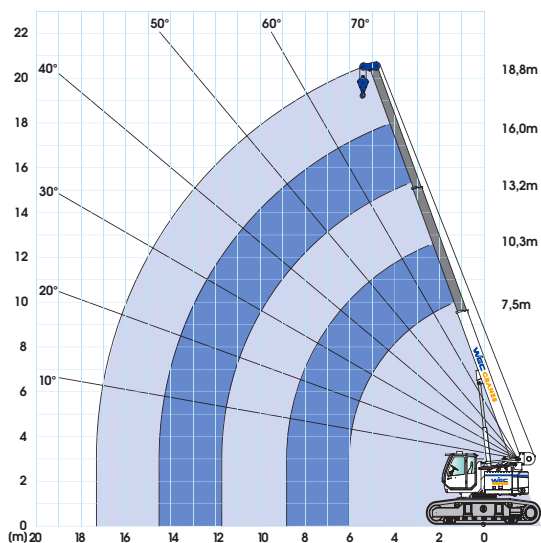


MAX RADIUS
20 Metre



MAX UNDER HOOK HEIGHT
24 Metres

Main Boom Range Chart

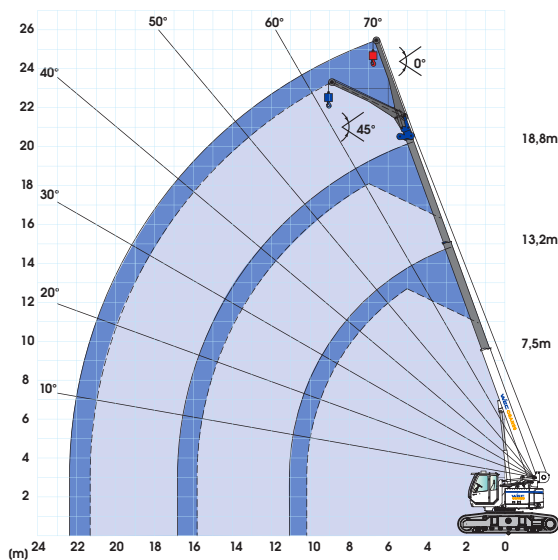


Main Boom Load Chart

18.8M MAIN BOOM

Working Radius (m)	7.5m Boom		10.3m Boom		13.2m Boom		16.0m Boom		18.8m Boom	
	Total Rated Load (t)		Total Rated Load (t)		Total Rated Load (t)		Total Rated Load (t)		Total Rated Load (t)	
	↔	↔	↔	↔	↔	↔	↔	↔	↔	↔
2.0	15.0	12.0								
3.0	13.3	8.3	10.0	8.4						
4.0	10.6	5.3	10.0	5.3	8.0	5.4				
5.0	8.5	3.7	8.6	3.8	8.0	3.8	6.0	3.9		
5.5	7.5	3.2	7.6	3.4	7.4	3.4	6.0	3.4	4.5	3.4
6.0	5.7/6.0m	2.9/6.0m	6.7	2.9	6.7	2.9	5.9	2.9	4.5	2.9
7.0			5.2	2.3	5.3	2.3	5.2	2.3	4.5	2.3
8.0			4.2	1.8	4.3	1.8	4.3	1.8	4.1	1.9
9.0			3.6/8.8m	1.5/8.8m	3.5	1.5	3.6	1.5	3.6	1.5
10.0					3.0	1.2	3.0	1.2	3.0	1.2
11.0					2.6	1.0	2.6	1.0	2.6	1.0
12.0					2.4/11.6m	0.9/11.6m	2.2	0.8	2.3	0.8
13.0							2.0	0.7	2.0	0.7
14.0							1.7	0.6	1.7	0.6
15.0							1.6/14.4m		1.5	
16.0									1.3	
17.0									1.1/17.3m	

Folding Jib 5m



5M FOLDING JIB LOAD CHART

18.8M MAIN BOOM, 5M JIB, 0° AND 45° OFFSET

Working Radius (m)	7.5m Boom		10.3m Boom		13.2m Boom		16.0m Boom		18.8m Boom	
	Total Rated Load (t)		Total Rated Load (t)		Total Rated Load (t)		Total Rated Load (t)		Total Rated Load (t)	
	↔	↔	↔	↔	↔	↔	↔	↔	↔	↔
4.0	3.8		4.4							
5.0	3.3		3.8		4.2					
6.0	2.9	2.0	3.4		3.8		3.8			
7.0	2.5	1.9	3.1	2.0	3.4		3.5		2.7	
8.0	2.2	1.9	2.8	2.0	3.1	2.0	3.2		2.7	
9.0	2.0	1.9	2.5	1.9	2.8	2.0	2.9	1.9	2.6	
10.0	1.9		2.2	1.9	2.5	1.9	2.6	1.9	2.4	1.7
11.0			2.0	1.8	2.3	1.9	2.4	1.9	2.2	1.6
12.0			1.8		2.2	1.8	2.2	1.9	2.0	1.6
13.0			1.8		2.0	1.8	2.0	1.8	1.9	1.5
14.0					1.7		1.7	1.7	1.7	1.4
15.0					1.5		1.5	1.5	1.4	1.3
16.0					1.4		1.3		1.3	
17.0							1.1		1.1	
18.0							1.0		1.0	
19.0									0.9	
20.0									0.7	

LOCATIONS

Dry Hire

P 1300 765 574
F 02 4229 7500

A PO Box 579
Haberfield NSW 2045

E dryhire@wgccranes.com.au

Sydney

P 02 4648 2200
F 02 4648 2298

A 19 Orielton Rd
Smeaton Grange NSW

E info@wgccranes.com.au

Wollongong

P 02 4271 6111
F 02 4271 2111

A 49 Industrial Road,
Unanderra NSW 2526

E info@wgccranes.com.au